

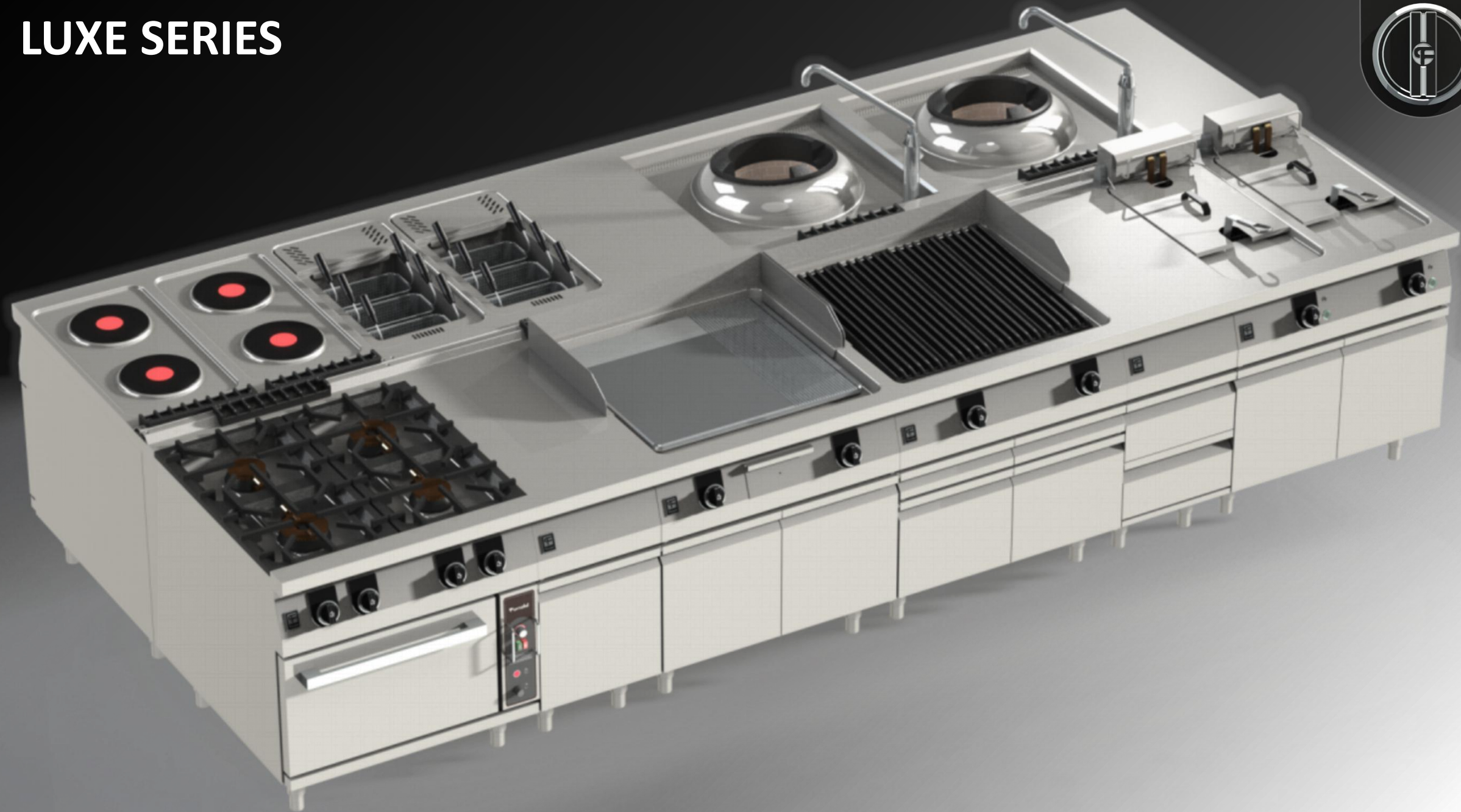


精雕细琢，是您值得拥有的艺术品

info@furnotel.cn

FURNOTEL
LUXE SERIES

LUXE SERIES



Contents

Market

R&D Purpose

Why Us

Application

Products Feature

Whole Series Advantage

Products Description

Accessory

Service

Personal Service

Value-Added Services



LUXE SERIES

R&D purpose

Luxe series is a European cooking range under the Furnotel's brand, it has lie the solid foundation for luxe series due to years of search and development of Elegant series and Xmart series successful.

Furnotel fuse of innovation and traditional dish with years development perfectly. we always provides reliable equipment and best solutions to all catering, because "Customer's Satisfaction" is our all along objective.



R&D Purpose

1. Designed for high-end projects and Flagship distributors
2. Enhance the brand image and brand influence
3. Create first-class brands of commercial kitchen equipment.

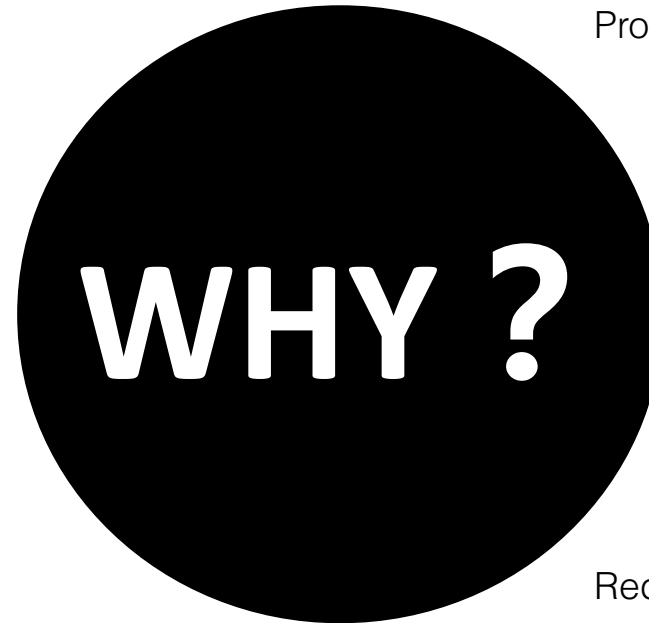


LUXE SERIES

Solve my problem once and for all

Provide values where i need

Don't waste my time



Provide values when i need

Provide products you needs

Reduce problem solving time

Why should i choose Luxe Series? What can it bring to me? what problem can it solve for me?

Appearance, Quality, Position, Brand,
Collocation, Customization

Service life, High Efficiency, Low
maintenance, High Return

Style Collocation, Personal
Customization, Close Service



VIP Warranty policy:
1 Year warranty
cover completely fee

Luxe series mainly serves customers who pursue high-quality equipment, and the ultimate enjoyment of vision, touch and taste brought by high-quality equipment.

Application

LUXE SERIES 750

400/800/1200*750*850

Suitable for



1. High-end restaurants, 5-Star hotel open kitchen
2. The kitchen of International school and nurseries
3. Buffet of membership private hospitals and sanatoriums

LUXE SERIES 900

400/800/1200*900*850

Suitable for



1. Top three hospital, international primary and secondary school or key university canteen.
2. The Reception restaurant of listed company, Famous brand central kitchen.
3. International chain fast food restaurants, High-end catering, international chain hotel.

LUXE SERIES

Application

LUXE SERIES



Modern design, Create your one and only kitchen, suitable for not only normal kitchen, but also open kitchen.

Application

LUXE SERIES



Complete range of products, you can use different items in any combination to achieve the desired effect

Models

W: 400/800/1200

D: 750/900



Griddle



Gas Burner



Chinese Wok



Grill



Fryer



Hot Plate

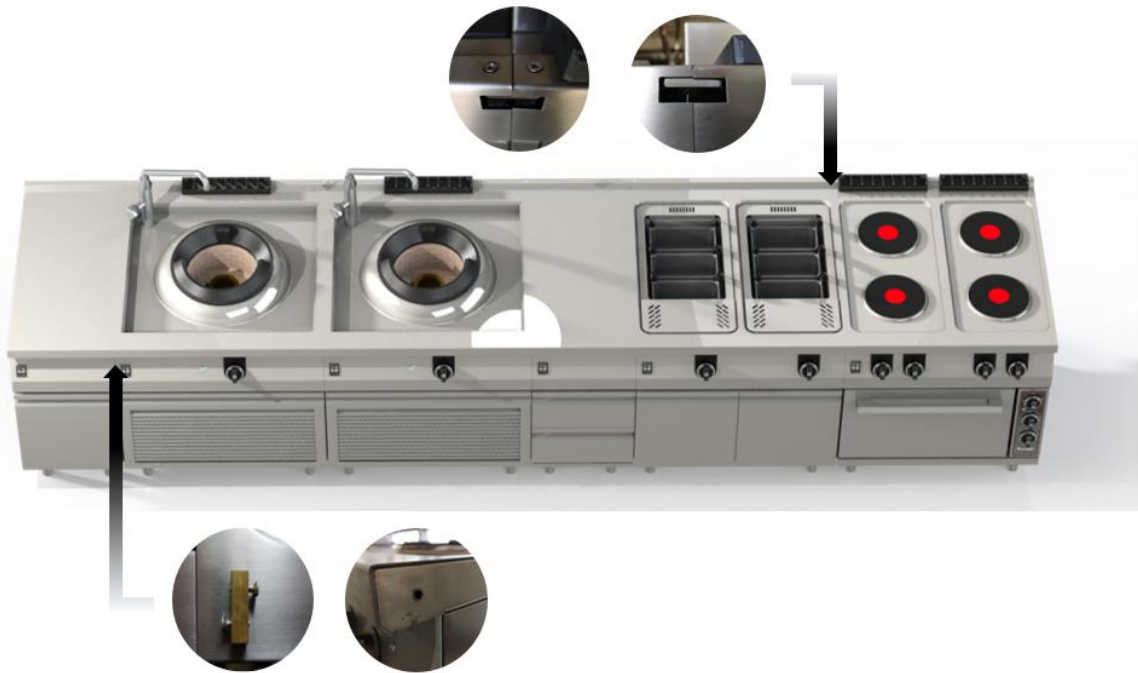


Pasta Cooker

7 basic models
168 model numbers

FEATURE 1

LUXE SERIES



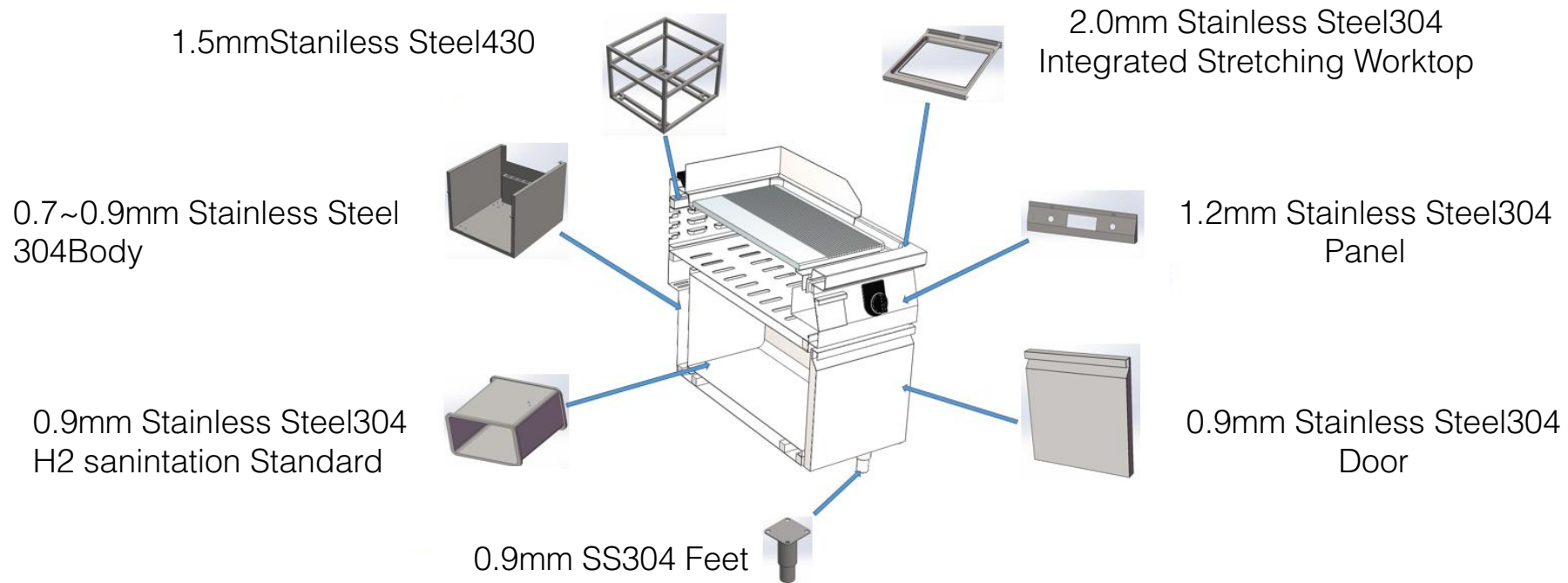
Can be locked into one whole unit



Different from traditional models

FEATURE 2

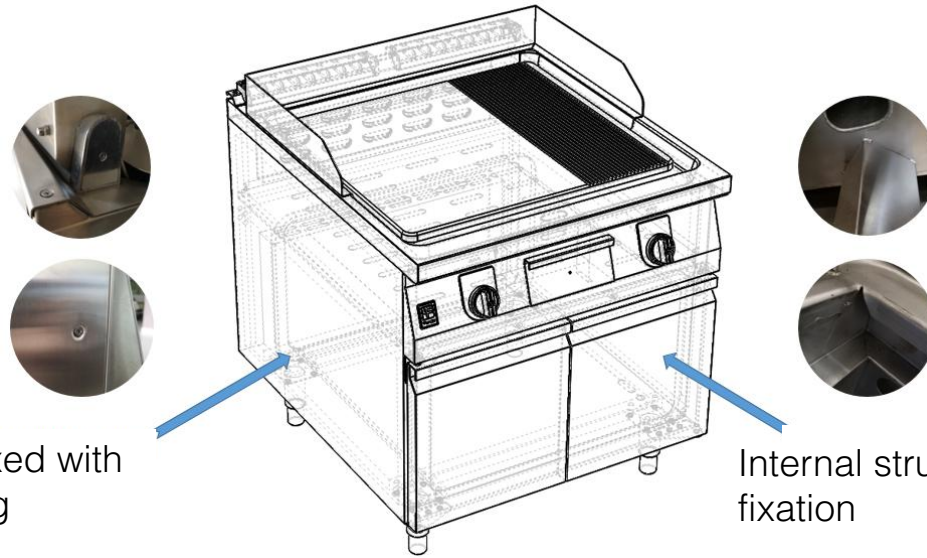
LUXE SERIES



Full Stainless Steel 304

FEATURE 3

LUXE SERIES



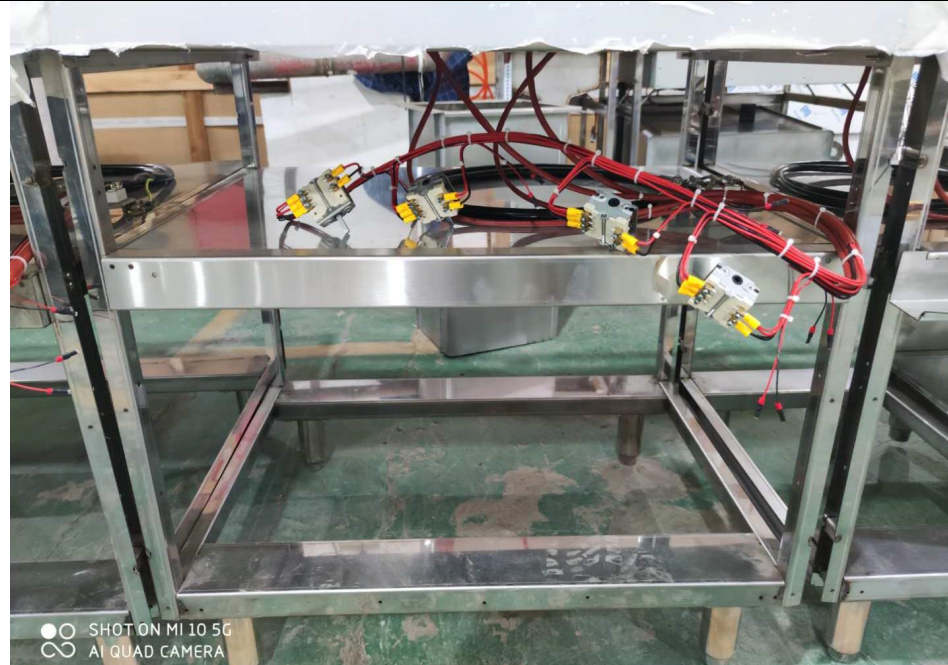
External structure: fixed with screws or connecting accessories

Internal structure: welding fixation

Inside welding outside screwer

FEATURE 4

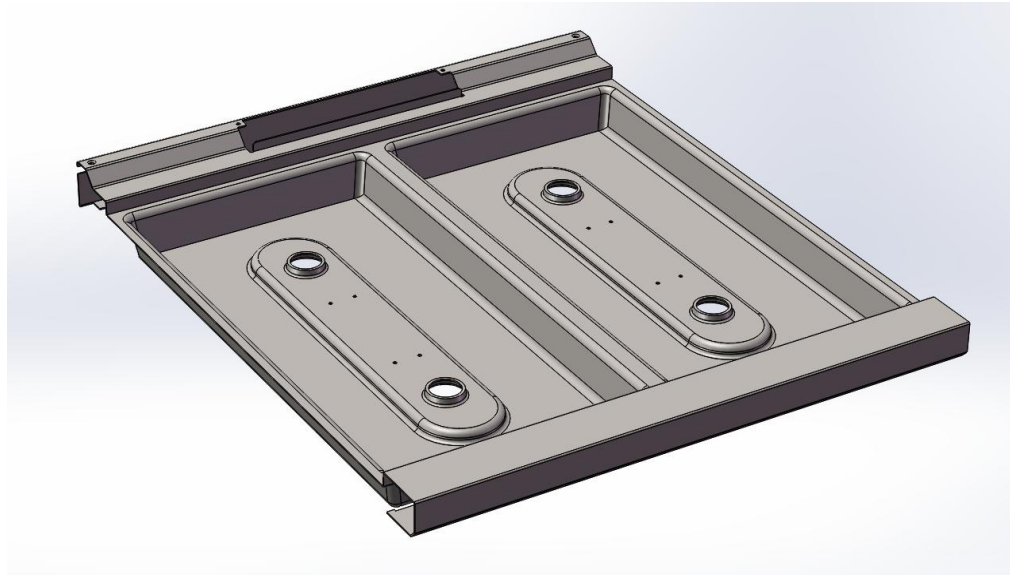
LUXE SERIES



Inside fixed metal frame

FEATURE 5

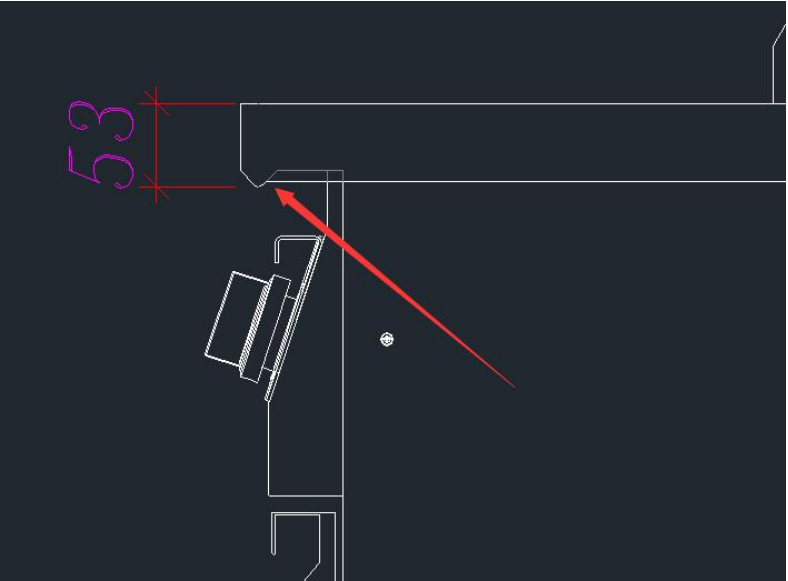
LUXE SERIES



2mm Stainless Steel 304
Integrated Stretching Worktop

FEATURE 6

LUXE SERIES



Front side water drop design

FEATURE 7

LUXE SERIES

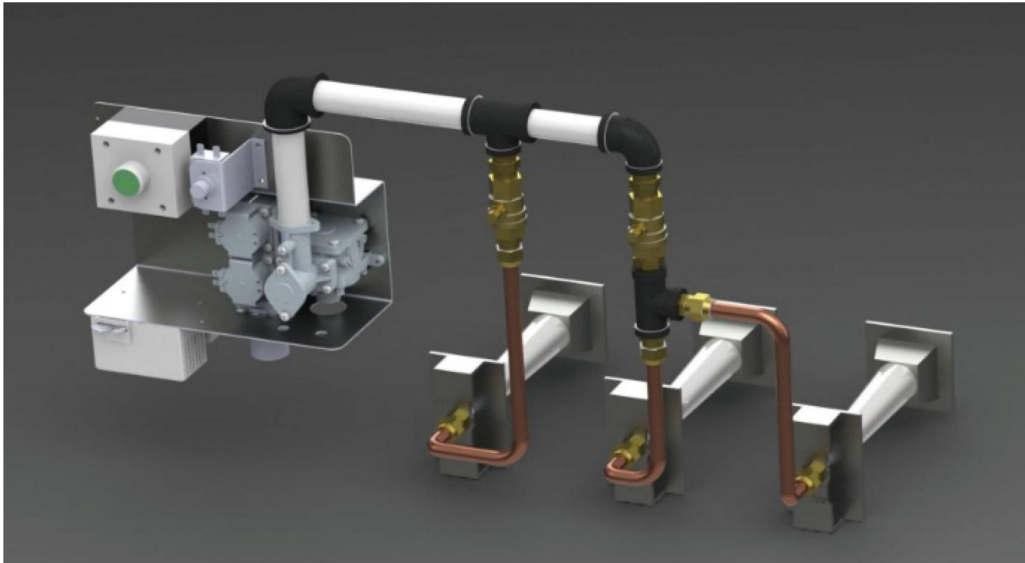


H2 Standard round corner cabinet

1mm 304#

FEATURE 8

LUXE SERIES



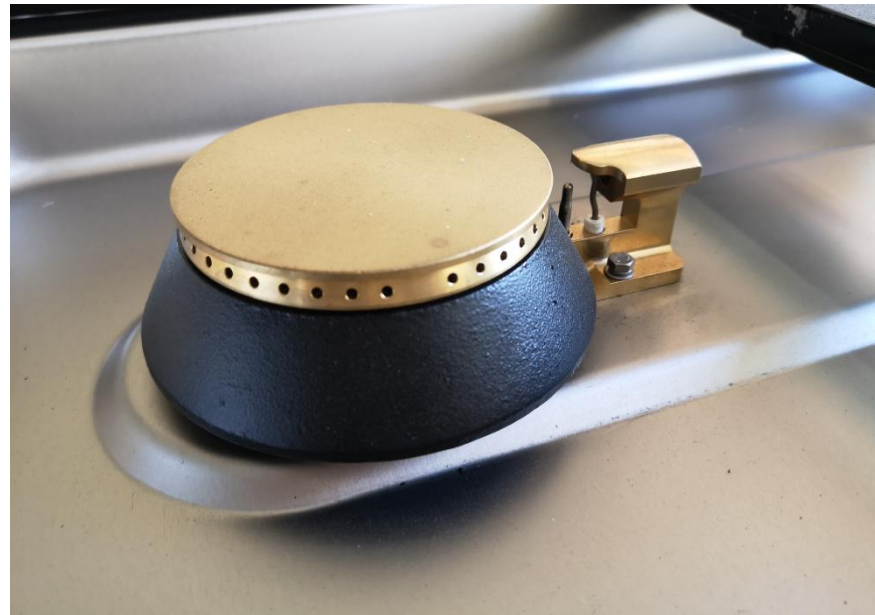
Automatic pulse igniter system



Different from other brands of normal igniter

FEATURE 9

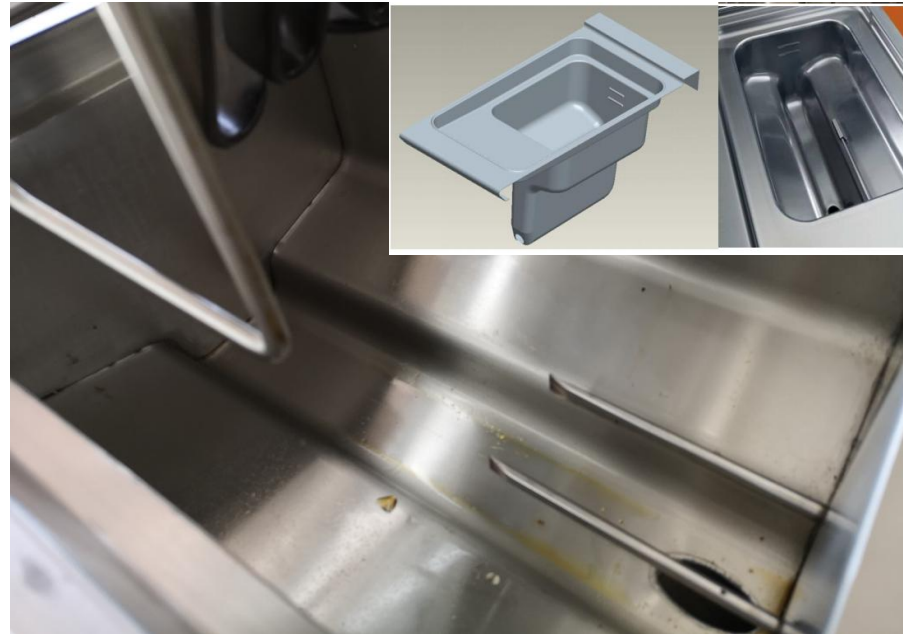
LUXE SERIES



Copper Made Burner

FEATURE 10

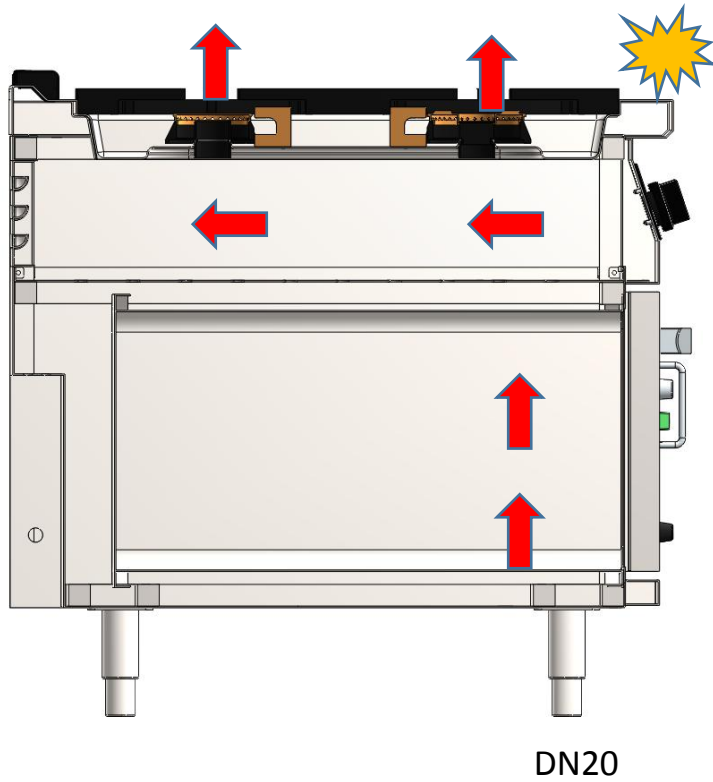
LUXE SERIES



V-Shaped Oil Tank

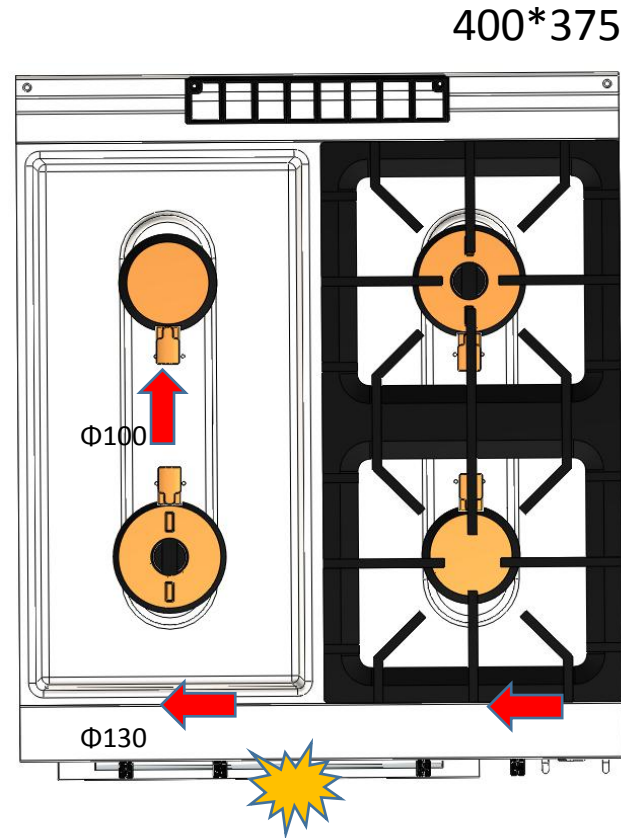
Cooking Burner (Gas Flat Burner)

LUXE SERIES



DN20

Working procedure



400*375

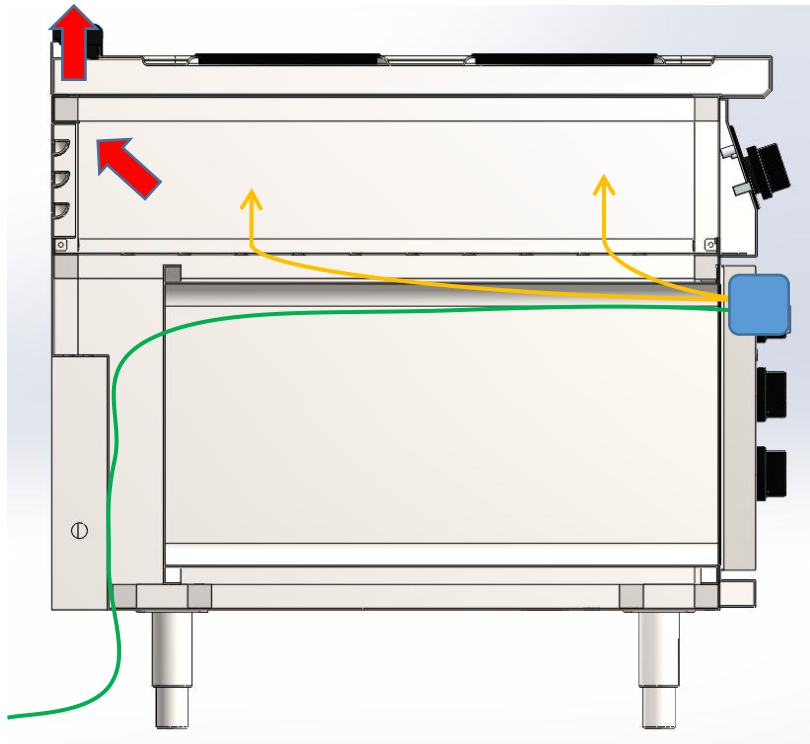
Φ100

Φ130

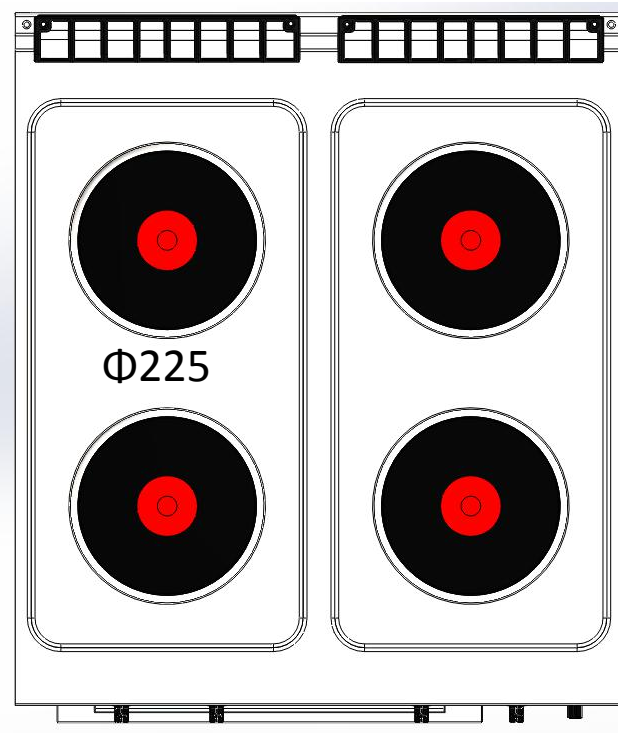
1. Full Stainless Steel304 (Durable)
2. Italy Brand Valve for oven (Stable)
3. Traditional type burner (Habit)
4. Copper made burner (Stable)
5. Enameled pan supports&Chimney cover (Durable)
- 6.Flameout Protection (Safety)
7. Integrated Stretching Worktop (Sanitary)
8. Probe Protection(Stable)
9. H2 Standard round corner cabinet (Sanitary)
10. Fixed metal frame(Durable)
11. Accurate control power(Accurate)
12. Back Concave design(Safety)

Hotplate Cooker

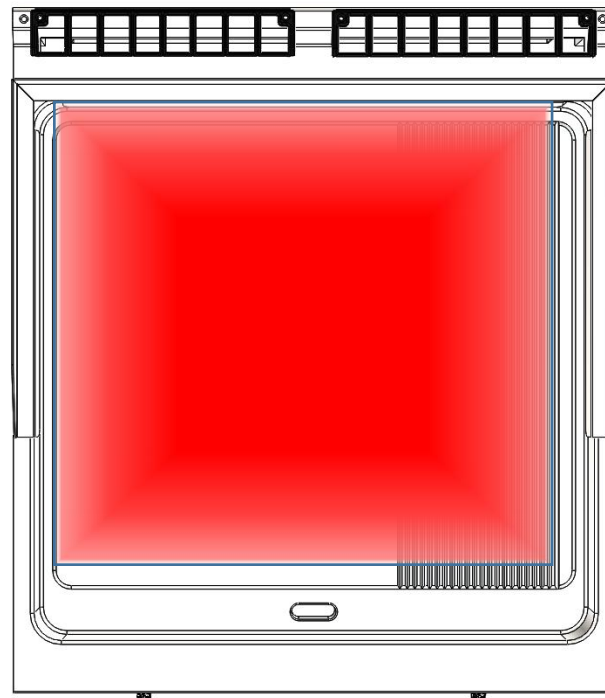
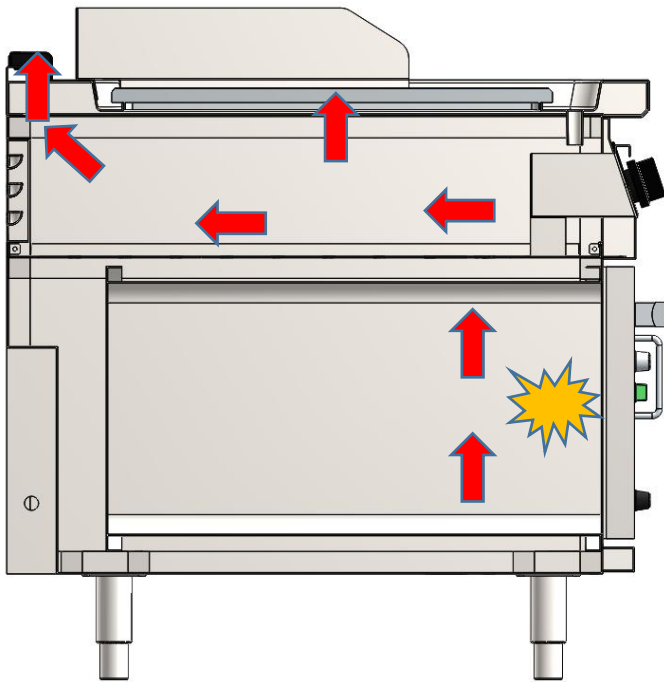
LUXE SERIES



Working Procedure



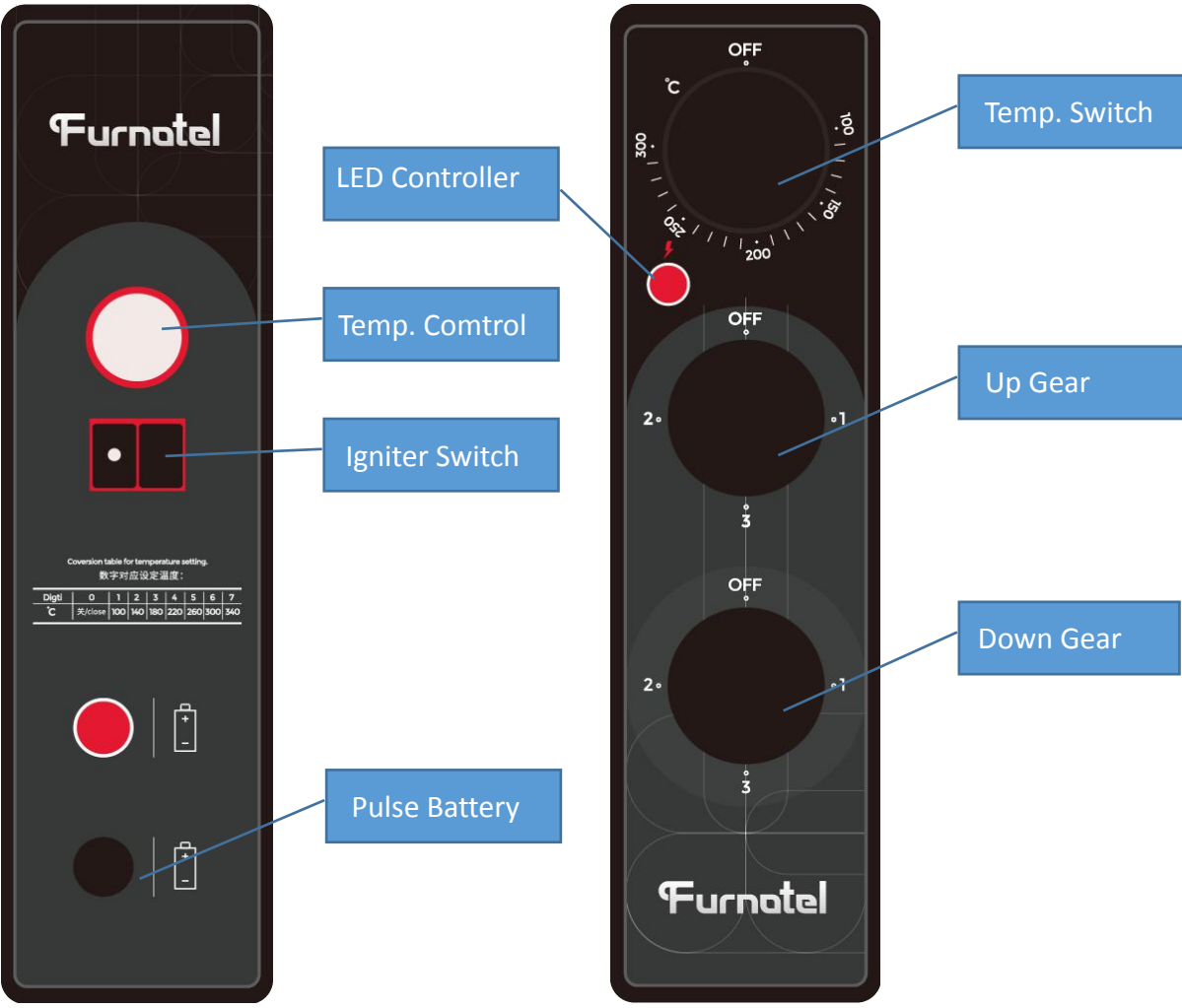
1. Brand Hot plate, temperature controller
2. Big Size hot plate (Durable)
3. Full Stainless Steel304 (Durable)
4. Integrated Stretching Worktop (Sanitary)
5. H2 Standard round corner cabinet (Sanitary)
6. Fixed metal frame(Durable)
7. Back Concave design(Safety)
8. 3 position of power(Accurate)
9. Enameled Chimney cover (Durable)



Working
Procedure

1. Full Stainless Steel304 (Durable)
2. Famous Brand temperature controller(Stable)
- 3.18mm thickness chromed plate(Durable)
4. Cast Iron(Durable)
5. Enameled chimney cover(Durable)
- 6.Flameout Protection (Safety)
7. Integrated Stretching Worktop (Sanitary)
- 8 H2 Standard round corner cabinet (Sanitary)
9. Fixed metal frame(Durable)
10. Back Concave design(Safety)
11. A variety models(Completely)
12. thermostatically controlled (Safety)
13. 420°C over heat protection(Safety)
14. Pulse igniters(Safety)

Oven



1. H-Shaped cast iron burner (Durable)
2. 6 Heating elements(Stable)
3. SS304 chamber and shelf(Sanitary)
4. Famous brand temp. control valve(Stable)

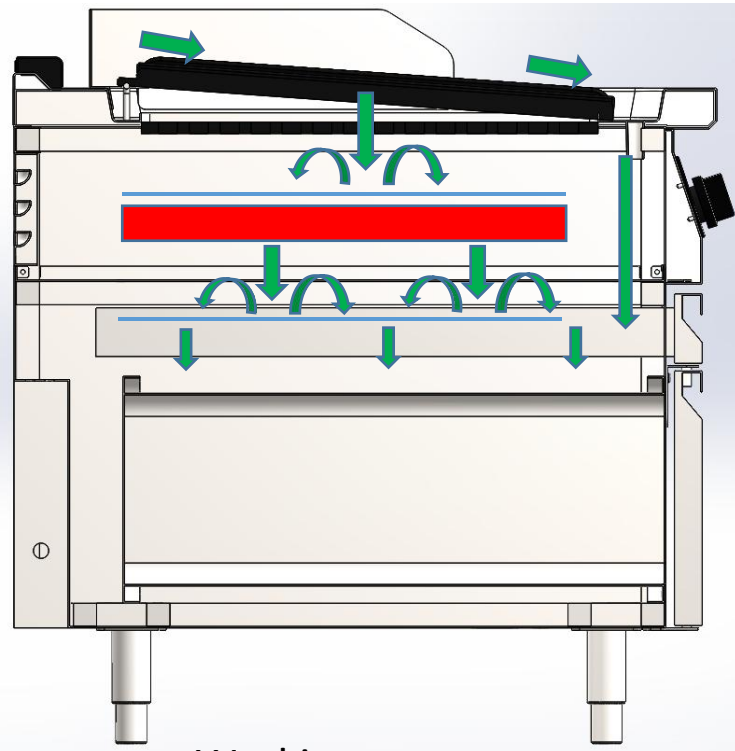


- 3-layer Adjustable
- Anti-heat
- Fire Watching Window

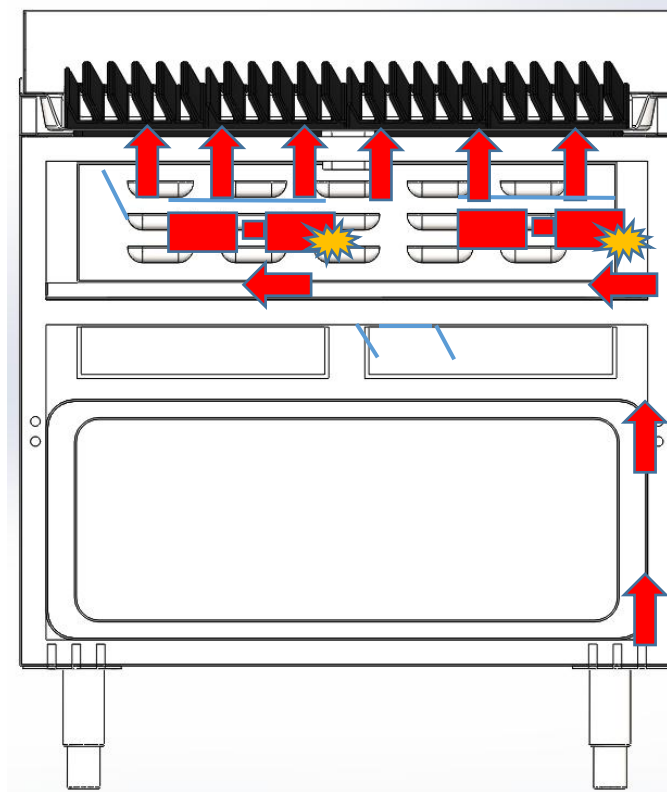
Charbroiler

LUXE SERIES

Both electric and gas grill are same heating ways



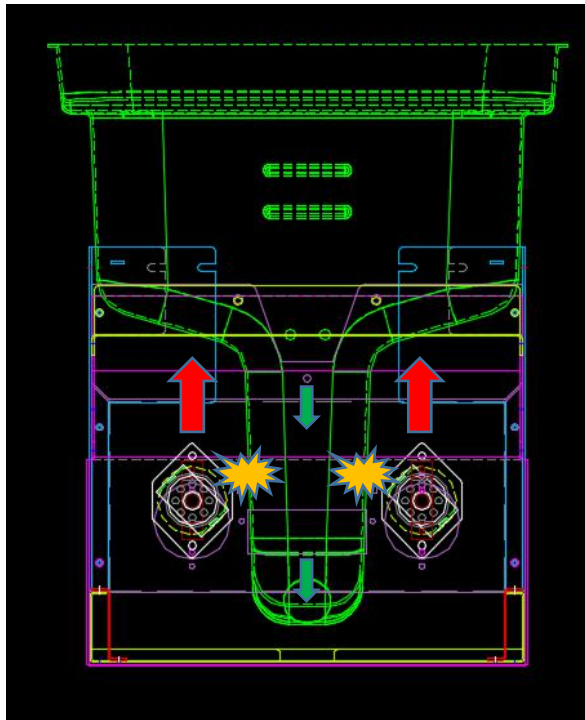
Working Procedure



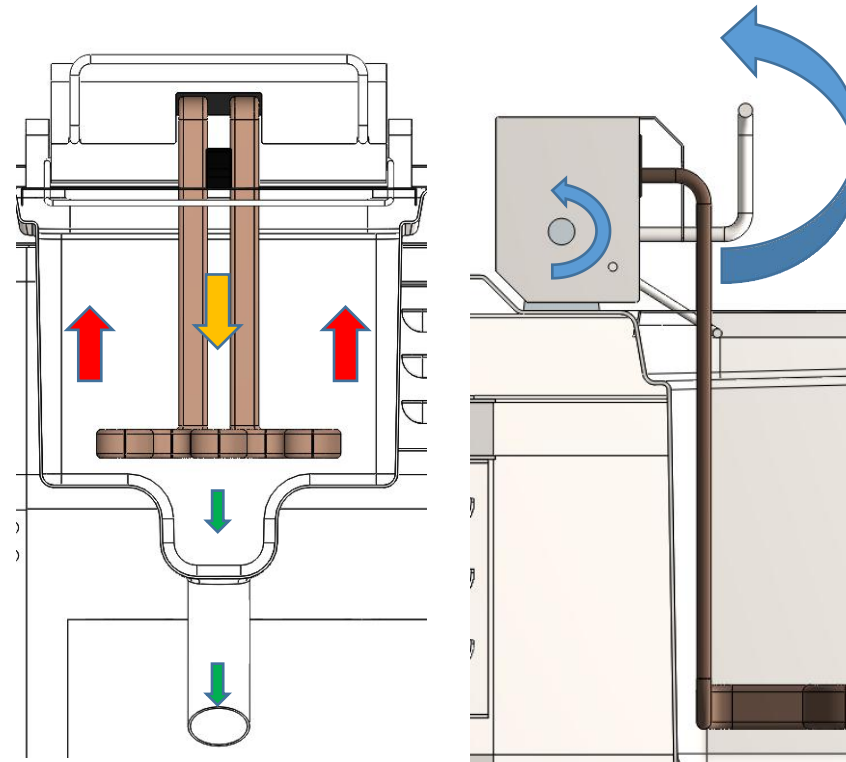
1. Full Stainless Steel304 (Durable)
2. Famous Brand temperature controller(Stable)
3. SS439 radiant panel, Burn resistance(Durable)
4. H Shape cast iron burner(Durable)
5. Enameled oblique Grid(Durable)
6. Flameout Protection (Safety)
7. Integrated Stretching Worktop (Sanitary)
8. H2 Standard round corner cabinet (Sanitary)
9. Fixed metal frame(Durable)
10. Back Concave design(Safety)
11. Extra double oil box(Sanitary)
12. Multi-gear

Fryer

LUXE SERIES

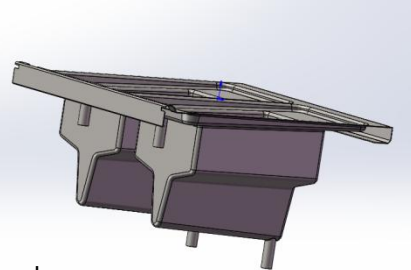
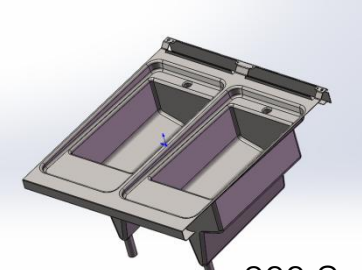


Working Procedure

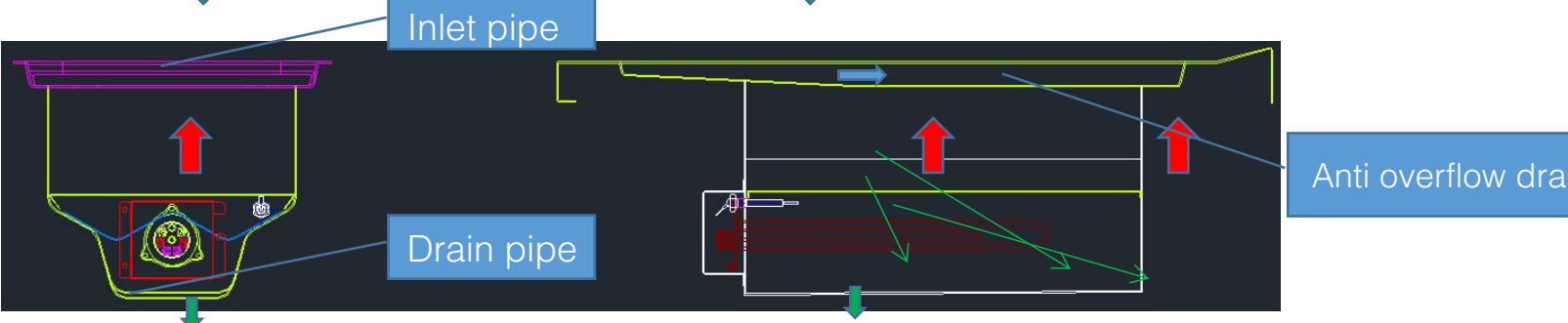
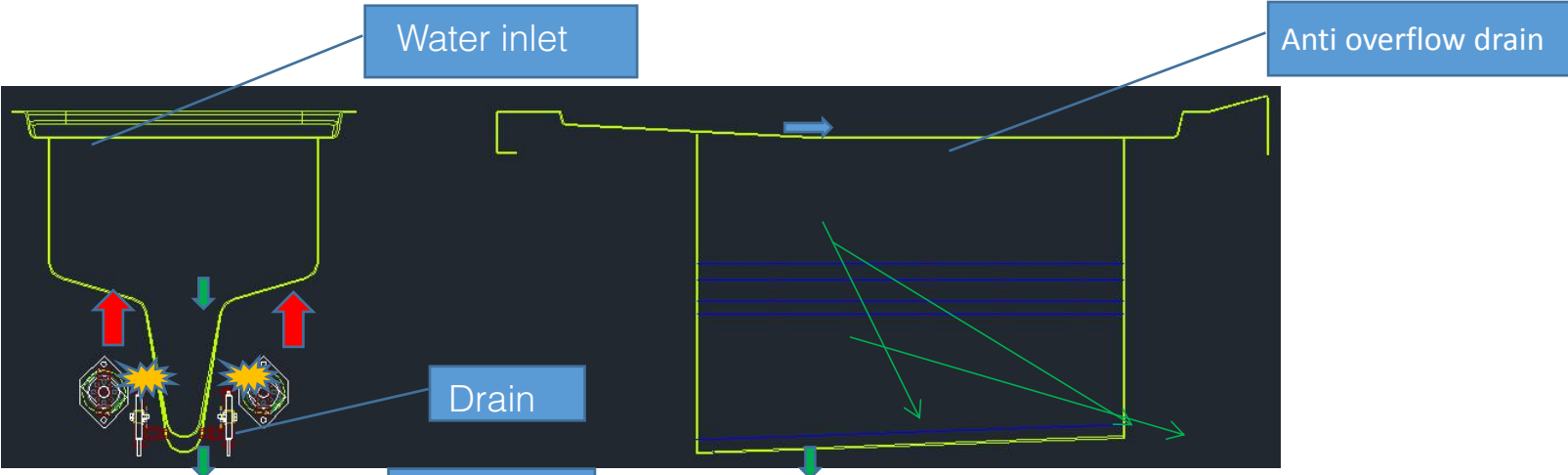


1. Full Stainless Steel304 (Durable)
2. Famous Brand temperature controller(Stable)
3. SS439 radiant panel, Burn resistance(Durable)
4. Automatic pulse igniter(Stable)
5. Copper made heating element(Durable)
6. Flameout Protection (Safety)
7. Integrated Stretching Worktop (Sanitary)
8. Stretching tank with cooling oil(Sanitary)
9. Fixed metal frame(Durable)
10. Back Concave design(Safety)
11. With filter tank(Sanitation)
12. Reversible resistance(Sanitary)
13. 235°C over heat protection(Safety)

Pasta Cooker



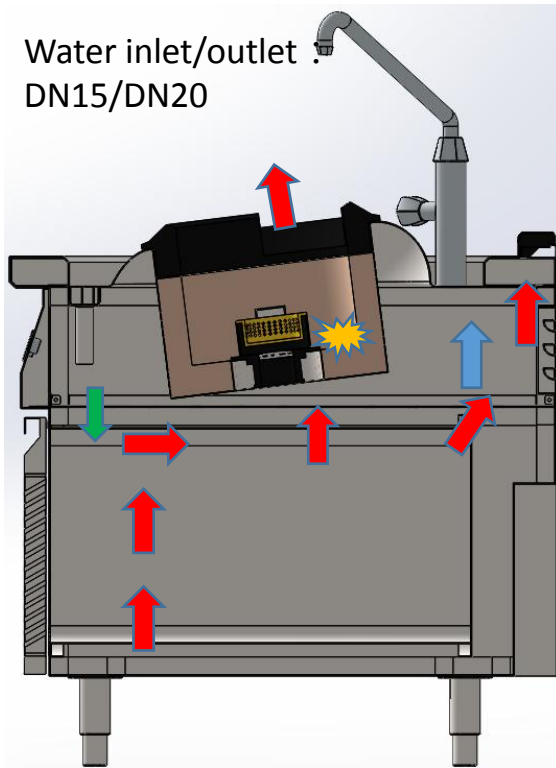
900 Series 35L tank



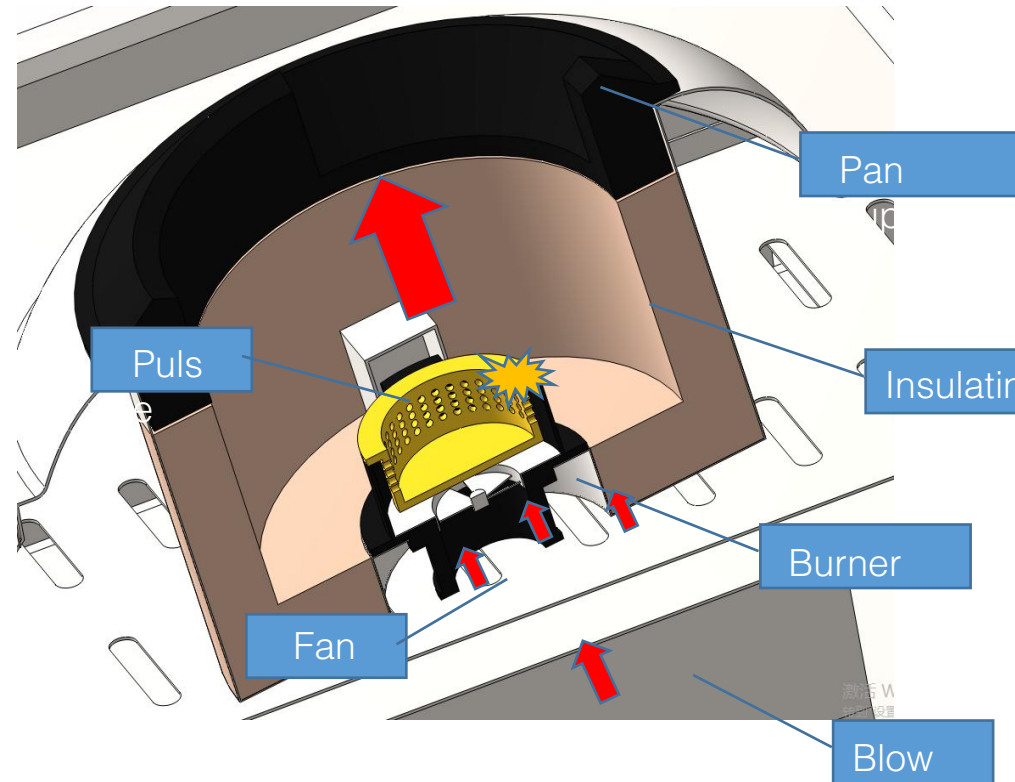
- 1. Full Stainless Steel304 (Durable)
- 2. Famous Brand temperature controller(Stable)
- 3. Flameout Protection (Safety)
- 4. Integrated Stretching Worktop (Sanitary)
- 5. Stretching tank with cooling oil(Sanitary)
- 6. Fixed metal frame(Durable)
- 7. Back Concave design(Safety)
- 8. build in water inlet(Sanitary)
- 9. Anti overflow drain, automatic water supply(Safety)
- 10. Water lack protection(Safety)
- 11. Water-stop Sheet (Safety)

Wok

LUXE SERIES



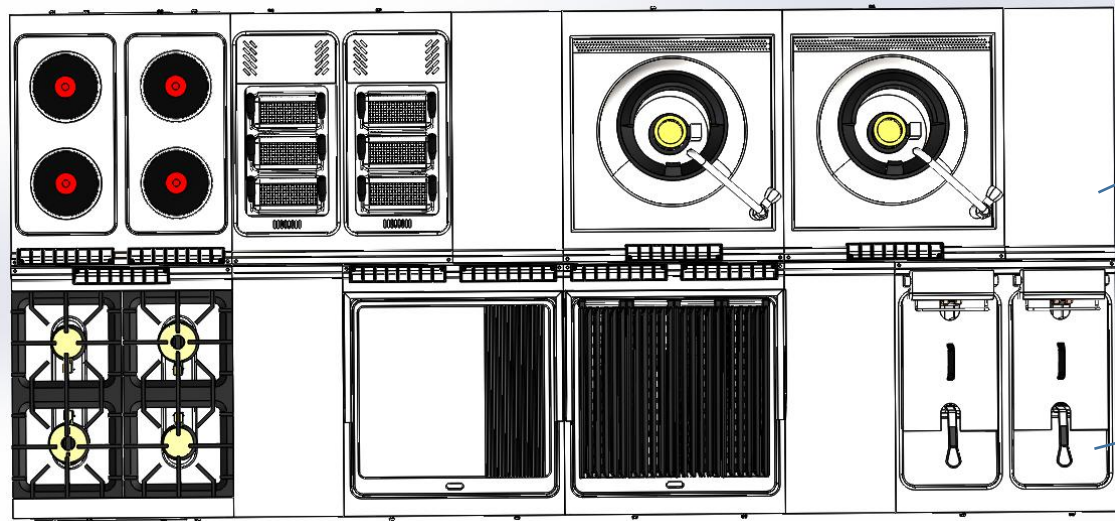
Working Procedure



1. Full Stainless Steel304 (Durable)
2. SS439 radiant panel, Burn resistance(Durable)
3. Automatic pulse igniter(Stable)
4. Double Solenoid valve(Durable)
5. Flameout Protection (Safety)
6. Integrated Stretching Worktop (Sanitary)
7. Stable pressure valve(Safety)
8. Fixed metal frame(Durable)
9. Back Concave design(Safety)
10. Silencing blower(Stable)
11. Rotatable faucet(Sanitary)
12. Oxygen premixing Burner(Safety)

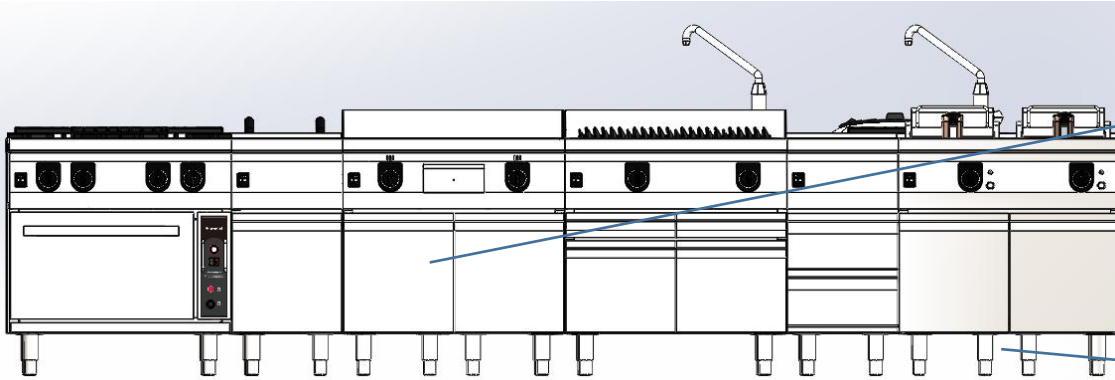
Whole Series

LUXE SERIES



Available Side edging plate

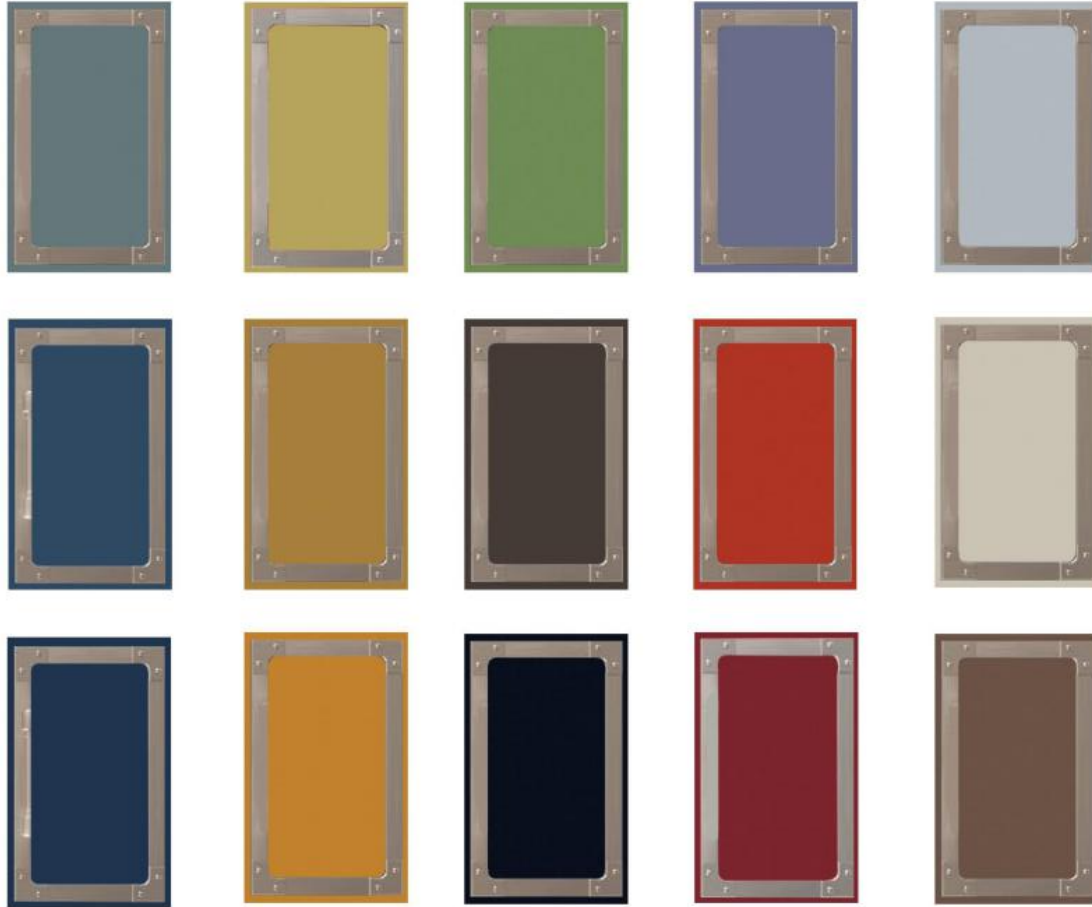
Available Table



Optional open Cabinet

Available sealing plate

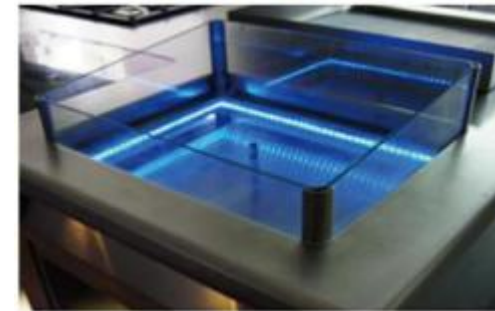




A variety of colors optional



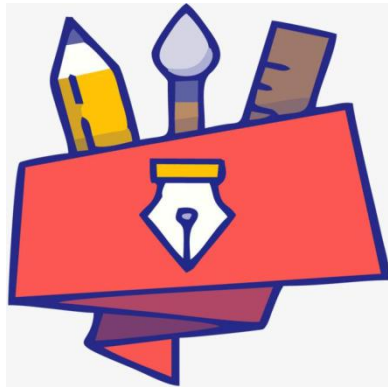
Muilt-function faucet



Available light

Value-added services

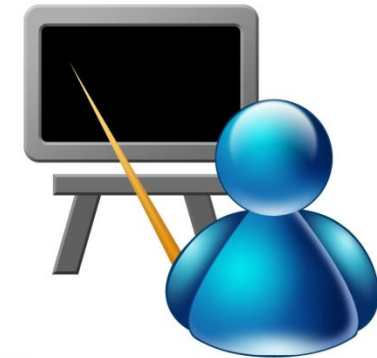
Customization



Exclusive name plate



Professional Training



LUXE SERIES



FURNOTEL

LUXE SERIES COOKING RANGE

FURNOTEL

info@furnotel.cn